

Infra Red Driveway Alert

Author: Ralph Landry
 Lake Junaluska, North Carolina
 email: rlandry@haywood.main.nc.us

APPLICATION OPERATION

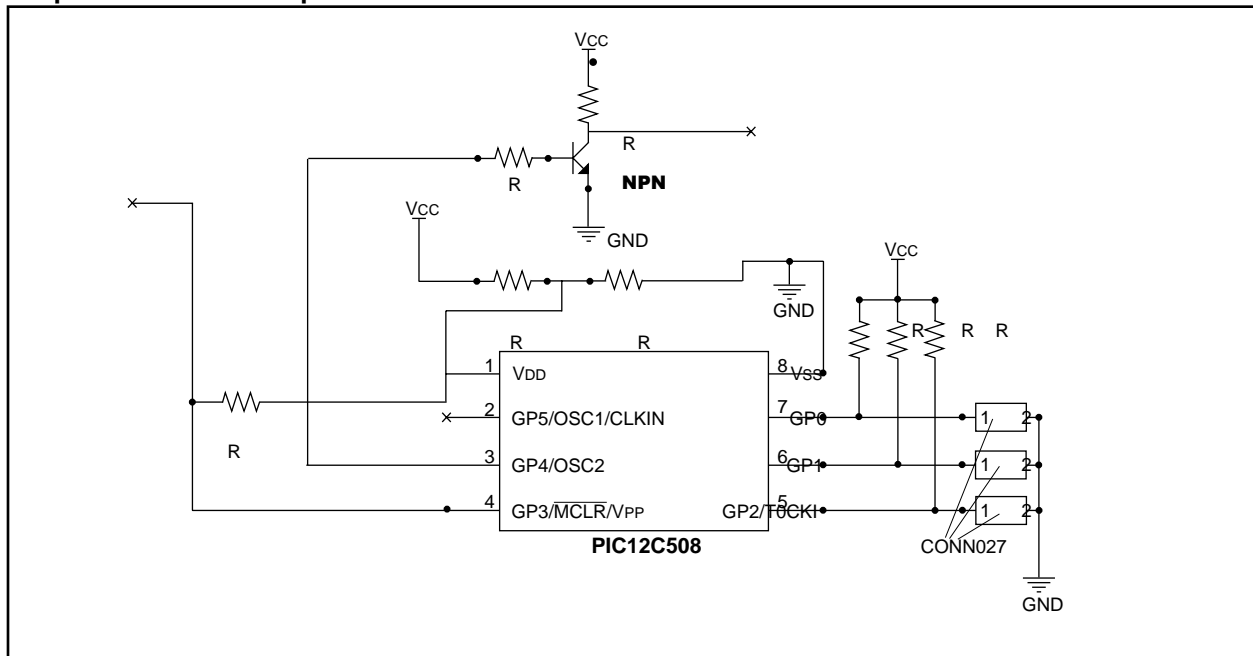
Dakota Alert makes an I/R driveway alert device that when the motion detector is tripped, it will sound an alarm inside the home or business.

In an application where several of the alerts would be used, the problem is that you don't know which of the devices detected movement since they only send one beep.

The enclosed schematic of the Dakota Alert Multi Ring solves this problem by allowing the user to select the number of rings (or beeps) that are sent by each alert module.

A set of dip switches allows the user to select up to 7 combinations of beeps. You can now have several of the Dakota transmitter devices placed around your property. By counting the number of beeps that are received you now know which device was tripped or saw movement, and in which direction a person or animal is approaching from.

Graphical Hardware Representation



Microchip Technology Incorporated, has been granted a nonexclusive, worldwide license to reproduce, publish and distribute all submitted materials, in either original or edited form. The author has affirmed that this work is an original, unpublished work and that he/she owns all rights to such work. All property rights, such as patents, copyrights and trademarks remain with author.

