



## Software Switch Pull-ups

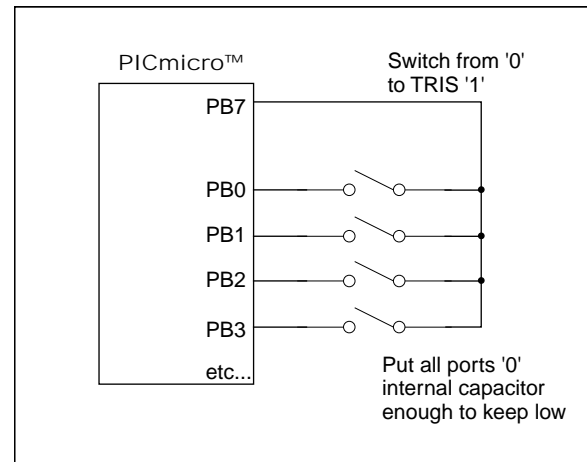
*Author: Mark Sullivan  
Joplin, MO  
USA  
msullivan@niobrara.com*

### INTRODUCTION

Configuration switches without pull-ups can be polled with this technique.

Connect the switches as shown in the block diagram.

**FIGURE 1: BLOCK DIAGRAM**



### Code: To Read the Switches

```
movlw    0
movwf    PORTB      ; drive all pins low
tris     PORTB      ; make sure they are outputs
nop      ; delay to discharge external capacitances
nop
movlw    0x7F      ; make switches lines inputs
tris     PORTB      ; common is still an output
bsf     PORTB,7    ; raise common line and any closed switches
movf     PORTB,W   ; read switches
movwf    Switchstate ; save switch results
movlw    0         ; keep port pins
movwf    PORTB     ; as low outputs the rest of the time
tris     PORTB
```

