

Remote Keyless Entry and Convenience Center Reference Design with LIN Bus Interface

Author: *Chuck Simmers*
Microchip Technology Inc.

OVERVIEW

This Application Note describes the working of a KEELOQ[®] code hopping decoder implemented on a Microchip mid-range MCU (PIC16F873). The software implements a stand-alone decoder integrated with a convenience center master microcontroller. The decoder supports the Microchip's HCS200, HCS201, HCS300, HCS301, HCS360, and HCS361 KEELOQ hopping code encoders. The decoder supports normal and secure learning. Two manufacturer's codes allow different manufacturers to share a public key, but retain their own private keys.

This design has been optimized to integrate into either an existing model platform without modification to the wiring harness (piggybacks onto original), or can be used with a new model with multiplexed wiring using the LIN standard. Operational flexibility is key to overall concept with many scalable features that can be customer, dealer, or factory end-of-line programmable.

This system has, additionally, been presently installed in a vehicle that has been completely retrofitted with Remote Keyless Entry (RKE) and power seat memory modules. This platform will also be used to test the future lighting control and engine immobilizer modules.

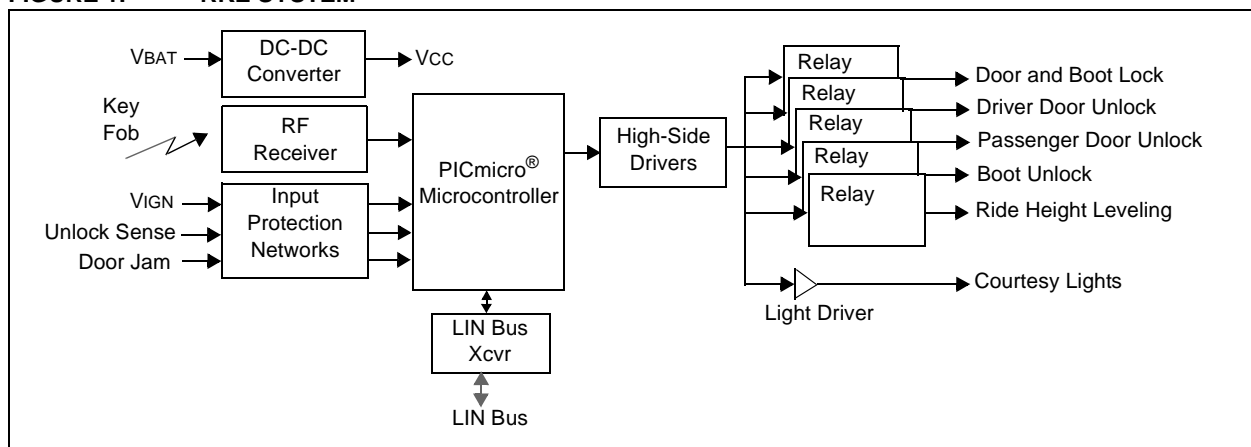
FEATURES

- Supports two manufacturer's codes
- Compatible with Microchip's HCS200, HCS201, HCS300, HCS301, HCS360 and HCS361 encoders.
- Automatic baud rate detection
- Automatic Normal or Secure learn detection
- Six learnable transmitters
- LIN Network Functions
 - Operates boot (trunk) lock remotely
 - LIN master node
 - Flash parking lights upon lock or unlock command
 - Flash headlamps (*n*-times to forever)
- Can be added to existing wiring harness without modification

The LIN (Local Interconnect Network) protocol was devised to address low cost automotive networks. The LIN standard is meant to replace the myriad of low-end multiplex wiring solutions in current use.

The LIN standard includes the specification of the transmission protocol, the transmission medium, the interface between, development tools, and the interfaces for software programming.

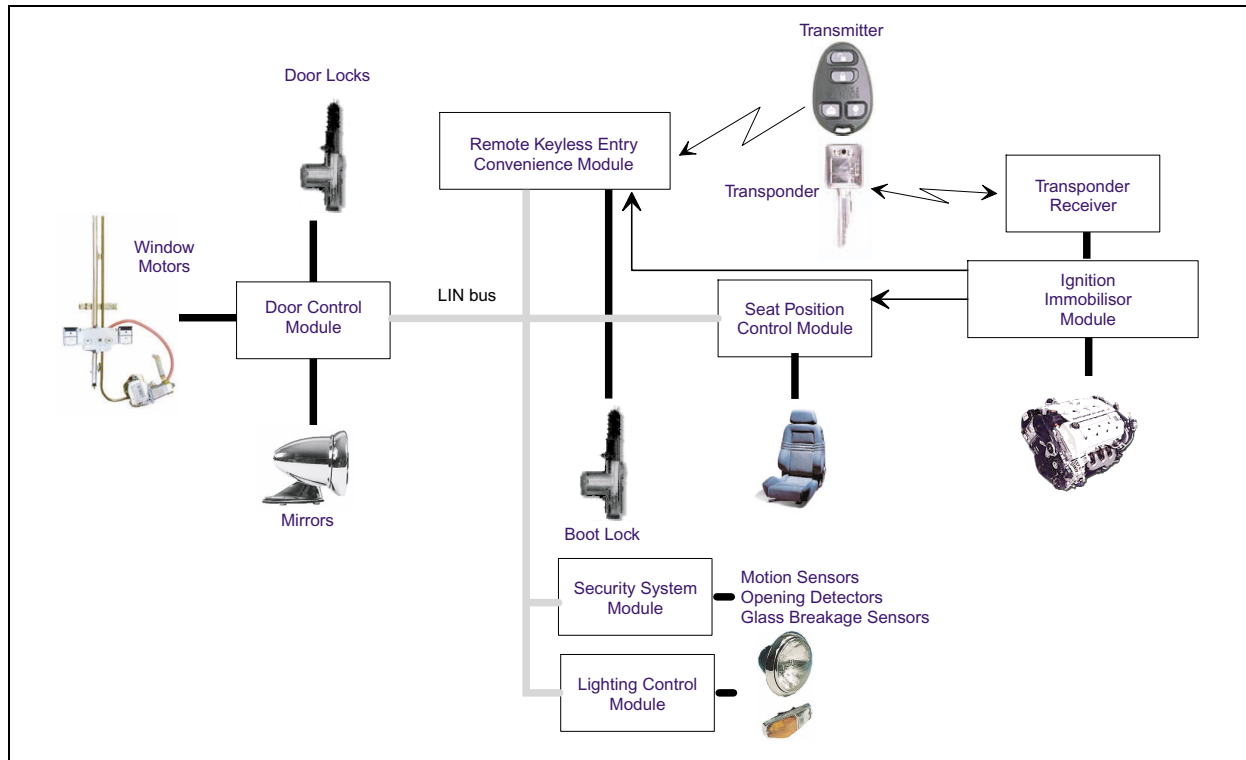
FIGURE 1: RKE SYSTEM



Notice: This is a non-restricted version of Application Note AN728 which is available under the KEELOQ License Agreement. The license agreement can be ordered from the Microchip Literature Center as DS40149.

AN728

FIGURE 2: SYSTEM BLOCK DIAGRAM



OPERATIONAL FEATURES

For optional features refer to Section "Customer Option Programming"

Locks

LOCK AND UNLOCK WITH DOOR SWITCHES

- One UNLOCK push of driver's door switch unlocks passenger doors, second push within 4 seconds unlocks driver's side. (Option: UNLOCK operates all doors, simultaneously)
- Push of passenger's UNLOCK switch only unlocks passenger doors. (Option: if above option is selected, passenger's UNLOCK operate all doors)
- Push of any LOCK switch locks all doors and boot.

LOCK AND UNLOCK WITH RKE FOB

- One push of RKE UNLOCK switch unlocks driver's door, second push within 4 seconds unlocks passenger doors. (Option: RKE UNLOCK operates all doors, simultaneously)
- One push of RKE LOCK switch locks all doors and boot.
- One push of RKE BOOT switch unlocks and opens boot lid.

AUTO-LOCK/UNLOCK (OPTIONALLY ENABLED)

- All doors unlock when ignition is turned off. (Option: when ignition key is removed)
- All doors lock when transmission has DRIVE selected. (Option: when vehicle speed reaches 20 mph (32 kph) and DRIVE selected)
- All doors and boot lock after 0-100 seconds (programmable) after ignition key is removed and all doors have been closed. (Option: disabled)
- If above Auto-lock mode is selected, then if any windows are not fully closed, close all windows. (Option: disabled)
- Boot is automatically locked whenever closed. (Option: disabled)

Lighting

COURTESY LIGHTS

- On whenever a door is open.
- On half intensity for 0-30 seconds (programmable) or until a door is opened, when ignition is switched off. (Option: disabled)
- Dimming to off (0-30 seconds, programmable) when all doors closed. (Option: off immediately, no dimming)
- Off immediately when ignition is switched on.
- On for 0-30 seconds (programmable) or until a door is opened when RKE unlocks any doors.
- Off immediately when RKE locks all doors.

HEADLIGHTS

- If headlights are on, keep on for 0-90 seconds (settable by instrument panel control) after ignition is switched off.
- If ambient light is low, and RKE unlocks any doors, headlights on for 0-30 seconds (programmable) or until ignition is switched on. (Option: disabled or sidelights only)

SIDELIGHTS

- Flash for 1 second whenever RKE locks or unlocks doors. (Option: disabled)

Seats and Mirrors

Whenever the driver's door is unlocked by the RKE, the driver's seat positioning system and the rearview mirrors will be commanded to assume a position stored in their respective nonvolatile memories. The position number is selected by decoding the serial number of the RKE transmitter. Thus several different transmitter fobs can command their own unique settings. (Option: disabled)

A given seat/mirror setting can be associated to a specific transmitter, by the following sequence.

1. Adjust seat and mirrors to desired position.
2. With the ignition switch on, press the LOCK and UNLOCK switches on the selected RKE fob simultaneously.

These settings are now associated with this transmitter.

Remote Transmitter LEARN Function

Learning is a feature that allows the addition of new transmitters to the system without the need to reprogram the system. During the learning process, the decoder identifies the transmitter and stores its parameters (cryptographic key and synchronization information) in EEPROM for future use. If the transmitter is activated again, the decoder will recognize the transmitter and respond to it normally.

The decoder's learning capabilities simplify replacement of lost transmitters. When a transmitter is lost, the user can "teach" the decoder the crypto-key of a new transmitter bought off the shelf. When a transmitter is lost, it is advisable to erase and relearn all existing transmitters to ensure that the lost transmitter is denied access to the system.

Learning a transmitter by a decoder is a two-phase process. During the learn process, a cryptographic key is generated by the decoder. The crypto-key is stored with the serial number and synchronization information after the crypto-key has been verified.

The crypto-key generation process has three inputs. The first is the source of the crypto-key generation. The source can be the encoder's serial number (normal learn) or the encoder's seed (secure learn). The next input is the crypto-key generation algorithm. The third input to the system is a manufacturer's crypto-key. The manufacturer's crypto-key tailors the crypto-key generation algorithm to a specific manufacturer. This customizing of the crypto-key generation algorithm means competitors can not clone transmitters for a system.

Two transmissions are needed by the decoder during learn; one is used to generate a crypto-key and the second, to validate the generated crypto-key. If the user uses the serial number as the crypto-key generation source, then both transmissions will be normal hopping code transmissions. If the user chooses to use secure learn (seed as the crypto-key generation source), the first transmission should be a hopping code transmission, and the second transmission a seed transmission. The HCS360 and HCS361 encoders are ideally suited for secure learn. These encoders transmit the seed if S0 and S1 are activated for longer than 3 seconds. This means that secure learn can be performed with a single extended press of a button assuming the button is tied to S0 and S1.

LEARNING PROCEDURE

Learning a transmitter is accomplished as follows:

1. Press and release the LEARN button. The LEARN LED will turn on to indicate that the decoder has entered Learn mode.
2. Press transmitter button. The LEARN LED will turn off, indicating a transmission has been received.
3. Press transmitter a second time. The LEARN LED will flash to indicate that the transmitter was learned successfully.
4. Repeat steps 1-3 to learn up to the maximum number of transmitters. Additional transmitters will overwrite transmitters already in the system.

Learning will be terminated if two non-sequential codes are received or if two acceptable codes were not received within about 30 seconds. An unsuccessful learning attempt will be indicated by the LEARN LED turning on for 1 second.

Note: The second transmission must be a SEED transmission when secure learn is used.

TRANSMITTER ERASING

Erasing of all the transmitters is accomplished by pressing and holding the LEARN button for 8 seconds. The LED will turn off at the end of the 8 seconds to indicate that the transmitters were erased.

Network Operation

The unit is connected to a LIN interface bus as a secondary master node. Six command frames are encoded by the firmware.

- Unlock boot
- Flash sidelamps upon lock or unlock
- Lock all doors and boot
- Flash headlamps on 'PANIC' push
- Stop flashing headlamps on second 'PANIC' push

The LIN identifiers selected for this application are '0Bh' and '11h'. The six commands are selected by the first data byte following the identifier.

TABLE 1: LIN IDENTIFIERS

ID	1st data byte	2nd data byte	Action
0Bh	00h	x	Reserved
0Bh	01h	03h	Flash Park
11h	10	x	Unlock Boot
11h	17	x	All Lock
0Bh	02	FF	Flash Head
0Bh	02	00	Stop Flash

Currently Implemented Features

For functions lighting and seat/mirror position control, the RKE module communicates command and transmitter identification data over the LIN bus interface to the appropriate submodule. These submodules are normally autonomous in operation, but can be commanded externally. They perform the requested function without further supervision of the RKE module. If an error should occur during execution of a command, a diagnostic trouble code will be stored for later retrieval through a service data link.

Note: For safety reasons, whenever the ignition switch is in the 'on' position, all output functions are inhibited.

TABLE 2: FEATURE STATUS

Feature	Currently Implemented	Comments
Lock/Unlock w/ switch	Yes	
Lock/Unlock w/ RKE	Yes	
Auto Lock/Unlock	Partial	Needs Vss and/or DRIVE input
Courtesy Lights	Yes	
HeadLights	Yes	Communicates to Lighting Control Module
SideLights	Yes	Communicates to Lighting Control Module
Seat and mirror position	No	Communicates to Seat Position Module and Mirror Position Module

CUSTOMER OPTION PROGRAMMING

Some functional options can be selected from the RKE transmitter key fob. These options are available to any transmitter that has already been learned by the system. Pressing any button, with the exception of Panic, for longer than four seconds will enter the Programming mode. A second button pressed, simultaneously, within the four to ten second period will toggle an option on or off. The programming sequence can be cancelled by releasing the first button, then pushing any button.

TABLE 3: OPTIONAL FUNCTIONS

First Button	Second Button	Action	Option
Unlock			
	Lock	Toggle Config1.6	RKEUNL: RKE Door Lock Option
	Boot ⁽¹⁾		
	Panic	Enter LEARN Mode	Set receiver to learn new transmitter fobs (up to a total of eight)
Lock			
	Unlock	Toggle Config4.5	CHRP: Audible Feedback on RKE Lock/ Unlock Events
	Boot ⁽¹⁾	Toggle Config1.0	BOOTLK: Boot Lock Option
	Panic	Toggle Config4.7	RKEFSH: Flash Sidelights on RKE Activity
Boot ⁽¹⁾			
	Unlock ⁽¹⁾		
	Lock ⁽¹⁾		
	Panic ⁽¹⁾		
Note 1: Not available on three-button RKE fobs.			

CIRCUIT DESCRIPTION

Voltage Regulator

The regulator is an automotive-grade, low dropout linear device capable of supplying up to 500 mA of current. It contains reverse battery polarity and over-voltage protection, and can handle load dump transients of +60V / -50V. It also has internal short circuit detection and thermal overload protection.

The input to the board is further protected by a reverse polarity blocking diode (D2) and over-voltage control by a zener diode (D3).

Battery voltage is current limited to the LIN transceiver by resistor, R6.

Inputs and Outputs

PROTECTED SYSTEM INPUTS

All inputs that are exposed to the vehicle system are clamped by back-to-back Schottky diodes to the internal VCC and VSS power planes.

All inputs are assumed to switch between chassis ground and 14.4V VBAT. A resistor divider is provided to attenuate the input to a VCC-VSS voltage range.

To use the J1-2 and J1-5 inputs, the respective input protection circuitry must be installed and the traces between E1 and E2 cut.

RELAY OUTPUTS

The relays are rated at 14VDC, 20 A with a maximum switching power of 400 W.

The coils are driven from the PICmicro MCU through an octal high-side driver array. Each driver is capable of +500 mA and a total package load of not more than 2.5 W. The normally open (NO) contacts of relays K1 through K4 are tied together and supplied by J2, pin 10. All other contacts are kept separate and available on J1, J2, or discreet pads.

To use the alternative TP1 and/or TP2 outputs of the high-side driver, the input signal conditioning circuits associated with J1-2 and J1-5 must be removed and the jumpers E1 and E2 installed.

PULSE-WIDTH MODULATED OUTPUT

A high current (5 A, 80V) Darlington-pair transistor drives pin 14 of J2. The transistor can be installed in either the Q1 or the Q2 position on the board. Q1 configures the output to be a high-side drive. Q2 is for low-side drive. The output transistor is protected by blocking diode, D4.

RADIO FREQUENCY RECEIVER INPUT

The output of the radio receiver module U1 is connected to pin 25 (RB4) of the PICmicro MCU, U2. A wire of suitable length is connected to the pad labeled ANT1 as an antenna.

LEARN CONTROL INTERFACE

Connector JP2 is used to connect to a remote switch and LED to implement the 'Learn' request function and status display. The switch input is pulled up to VCC by an onboard 10 k Ω resistor. The LED is driven through an onboard 1 k Ω current-limiting resistor.

IN-CIRCUIT DEBUG AND SERIAL PROGRAMMING INTERFACE

The resident PICmicro MCU software can be debugged or reprogrammed through an MPLAB[®] ICD or ICSP[™] module connected to JP3. This is normally a RJ11, 6-pin telecom connector, but for the automotive environment this has been replaced with a 6-pin mini DIN. This connector and its associated cabling are much more robust than the typical telecom-type hardware.

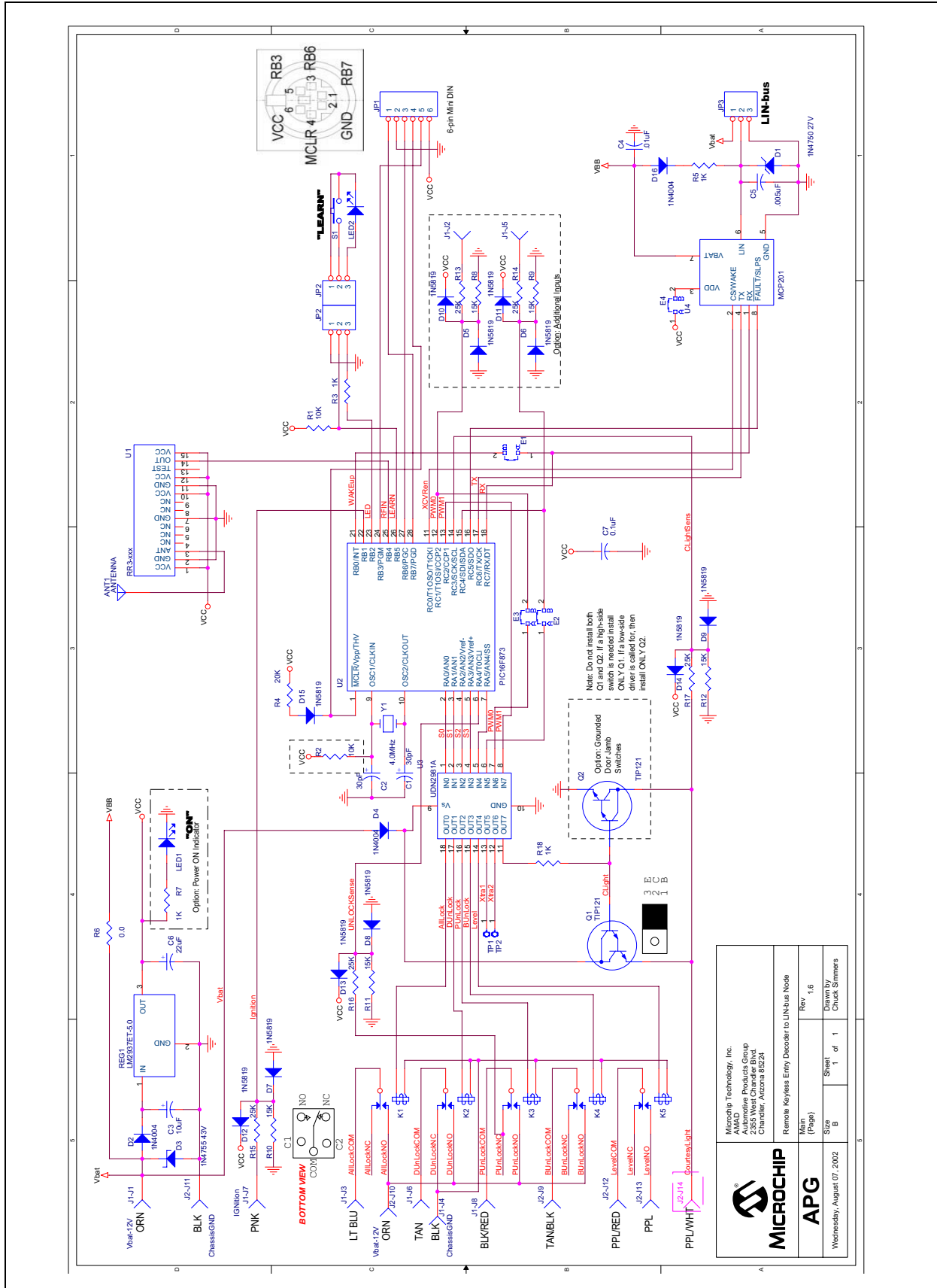
Local Interconnect Network (LIN) Interface

The LIN bus interface is through a Microchip MCP201 LIN transceiver. The internal PICmicro UART pins (RC6/TX and RC7/RX) are connected to the respective pins on the transceiver. The transceiver's Chip Select input is driven from RC0. A high level on this output turns the transmitter on. The FAULT output of the transceiver is brought to the RC5 for software fault detection and correction.

The RX pin of the LIN receiver can, alternatively, be connected to RB0 by installing jumper E1. This allows the PICmicro MCU to be setup to wake on a transition of the LIN bus.

AN728

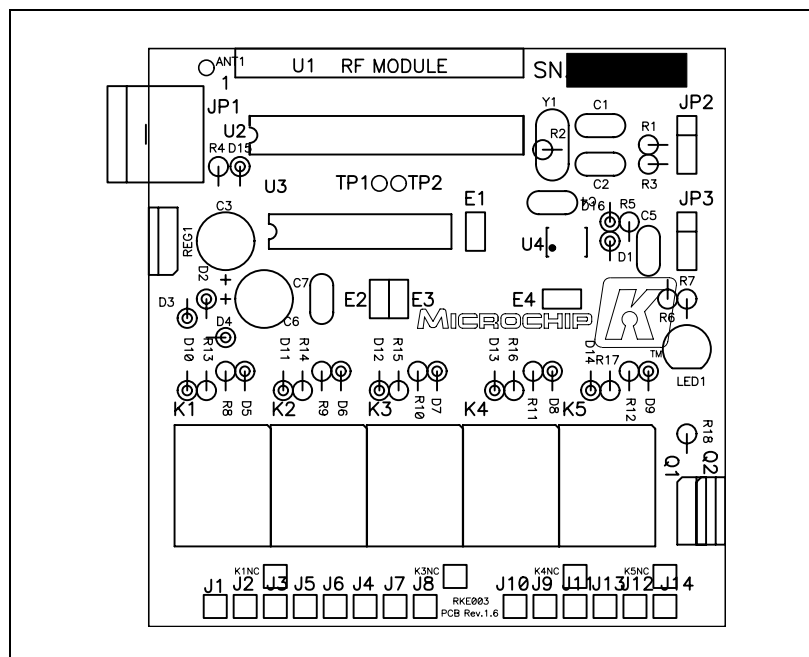
APPENDIX A: SCHEMATICS



		Microchip Technology, Inc. AMAD Sales Promotions Group 2355 West Chandler Blvd Chandler, Arizona 85224
MICROCHIP APG	Remote Keyless Entry Decoder to LIN-bus Node Main (Pages) Size B Sheet 1 of 1 Wednesday, August 07, 2002	Rev 1.6 Drawn By Chuck Simmers

Schematic Revision History

Revision Number	Description	Matching PCB
RKE001 Revision 1.3	First release, replaced 2mm double-row connector with .156 single row, added two auxiliary inputs conditioning circuits, added optional low-side courtesy light driver, replaced RJ11 6-pin ICD connector with a 6-pin mini DIN.	Hand-wired prototype
RKE001 Revision 1.4	Added D15 diode to \overline{MCLR} pin.	RKE001 Rev 1.2
RKE001 Revision 1.5	Not released	None
RKE001 Revision 1.6	Released K-line transceiver with MCP201. Changed Jx connectors for higher current.	RKE001 Rev 1.6



PCB Revision History

Revision Number	Description	Matching Schematic
RKE001 Revision 1.2	Relay footprints are backwards. Fully functional.	RKE001 Rev. 1.4
RKE001 Revision 1.3	Fixed relay footprints. No change to J1-J14.	RKE001 Rev. 1.4
RKE001 Revision 1.4	Not released	RKE001 Rev 1.5
RKE001 Revision 1.5	Not released	RKE001 Rev 1.5
RKE001 Revision 1.6	Re-oriented parts placement to quiet LIN area and for more current carrying capability.	RKE001 Rev 1.6

AN728

TABLE 4: CONNECTOR DESCRIPTIONS

JP1 ICD/ICSP Interface			
Pin Number	Pin Name	Description	PICmicro MCU Signal
1	MCLR	Master Clear Input / Program Mode Select	Pin 1 MCLR
2	Vcc	+5VDC Power	Pin 20 VDD
3	GND	Ground Power	Pin 8,19 VSS
4	RB7	Data Input/Output	Pin 28 RB7/PGD
5	RB6	Clock Input	Pin 27 RB6/PGC
6	RB3	Low Voltage ICSP Programming Input	Pin 24 RB3/PGM

JP2 Learn Interface			
Pin Number	Pin Name	Description	PICmicro MCU Signal
1	GND	Ground Power	Pin 8,19 VSS
2	SW	Learn Switch Input	Pin 26 RB5
3	LED	Learn LED Output	Pin 23 RB2

JP3 LIN Interface			
Pin Number	Pin Name	Description	PICmicro MCU Signal
1	VBAT	+12VDC Battery Power	No connection
2	LIN	LIN bus Input/Output	Pin 17 and 18 RC6/TX and RC7/RX
3	GND	Bus Ground Power	Pin 8,19 VSS

J1 System Interface			
Pin Number	Pin Name	Description	PICmicro MCU Signal
1	VBAT	+12VDC Battery Power	No connection
2	IN1	Input #1	Pin 12 RC1
3	K1COM	Relay #1 Common	Controlled by Pin 2 RA0
4	K2NC	Relay #2 Normally Closed	Controlled by Pin 3 RA1
5	IN2	Input #2	Pin 15 RC4
6	K2COM	Relay #2 Common	Controlled by Pin 3 RA1
7	Ignition / IN3	Ignition Input #3	Pin 22 RB1
8	K3COM	Relay #3 Common	Controlled by Pin 4 RA2

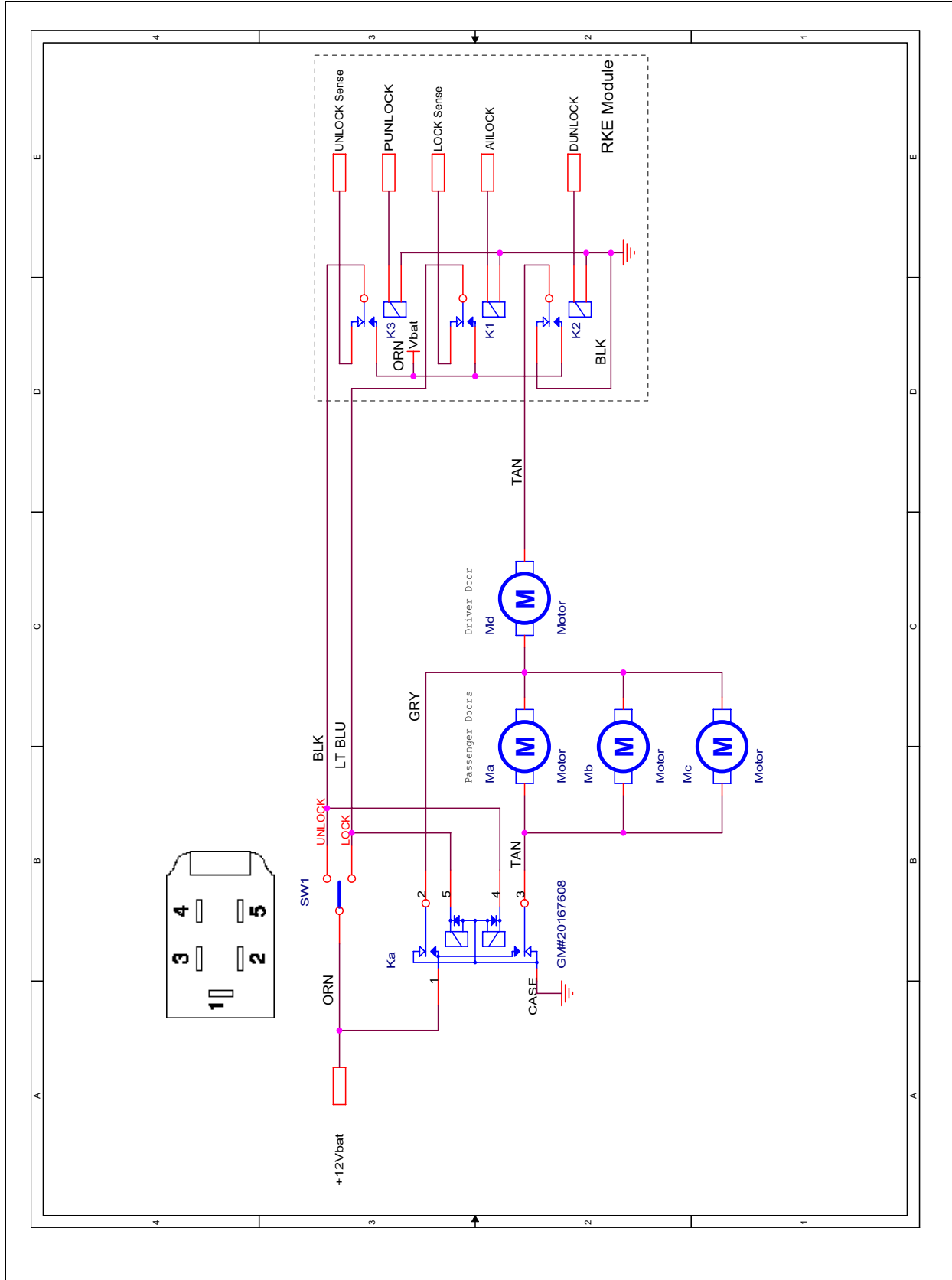
J2 System Interface			
Pin Number	Pin Name	Description	PICmicro MCU Signal
9	K4COM	Relay #4 Common	Controlled by Pin 5 RA3
10	VBATRLY	Relays #1, #2, #3, and #4 Normally Open	—
11	GND	Chassis Ground Power	—
12	K5COM	Relay #5 Common	Controlled by Pin 7 RA5
13	K5NO	Relay #5 Normally Open	Controlled by Pin 7 RA5
14	PWM	5.0 A High- or Low-side Output with Input #5	Controlled by Pin 13 RC2, read by Pin 14 RC3

Note: J1 and J2 pin number are not sequential on board layout.

Optional System Interface Signals			
Pin Number	Pin Name	Description	PICmicro MCU Signal
—	K1NC	Relay #1 Normally Closed	Controlled by Pin 2 RA0
—	K3NC	Relay #3 Normally Closed and Input #4	Controlled by Pin 4 RA2, read by Pin 6 RA4
—	K4NC	Relay #4 Normally Closed	Controlled by Pin 5 RA3
—	K5NC	Relay #5 Normally Closed	Controlled by Pin 7 RA5
—	TP1	0.5 A High-side Output	Controlled by Pin 15 RC4
—	TP2	0.5 A High-side Output	Controlled by Pin 12 RC1

AN728

FIGURE 3: VEHICLE SYSTEM



The present assignment of input and output circuits is as follows:

Connector Number	Direction	Function	Signal Range
J1-1	Power	+12V Battery	On always
J1-2	—	Not assigned	
J1-3	Out	Lock All	On = 12V Off = n.c.
J1-4	Out	Driver Door Unlock NC	On = n.c. Off = 12V
J1-5	—	Not assigned	
J1-6	Out	Driver Door Unlock	On = 12V Off = n.c.
J1-7	In	Ignition	On = 12V Off = n.c.
J1-8	Out	Passenger Doors Unlock	On = 12V Off = n.c.
J2-9	Out	Boot Unlock	On = 12V Off = n.c.
J2-10	Power	+12V Battery	On always
J2-11	Power	Chassis Ground	
J2-12	Out	Load Leveler Solenoid	On = J2-12 shunted to J2-13 Off = n.c.
J2-13	Out	Load Leveler Power	Switched on by Ignition
J2-14	Out	Courtesy Lights	On = 12V Off = n.c. Continuously variable in 255 steps
K1NC	—	Not assigned	
K3NC	—	Not assigned	
K4NC	—	Not assigned	
K5NC	—	Not assigned	

Note: Pins are not sequential on board.

CONFIGURATION REGISTERS

Several features of the RKE system can be configured to suit the end user. These configuration bytes are located in EEPROM data memory and can be modified at software assembly time or by an external programmer such as PRO MATE® II. Refer to program listing for exact addresses.

REGISTER 1: CONFIGURATION BYTE 1

D = 1	D = 1	D = 1	D = 1	D = 1	D = 0	D = 0	D = 1
UNLOCK	RKEUNL	AUTOUN	OFF/RM	AUTOLK	DRV/SPD	WINDUP	BOOTLK
bit 7				bit 0			

- bit 7 **UNLOCK:** Inside Door Lock Option bit
 1 = Unlock passenger, first push. Unlock driver, second push.
 0 = Unlock all, one push
- bit 6 **RKEUNL:** RKE Door Lock Option⁽¹⁾ bit
 1 = Unlock driver, first press. Unlock passenger, second press.
 0 = Unlock all, one press
- bit 5 **AUTOUN:** Auto Unlock Option bit
 1 = Enable auto unlock option
 0 = Disable auto unlock option
- bit 4 **OFF/RM:** Auto Unlock Select bit
 If bit 5, AUTOUN is '1', else bit 4 has no effect
 1 = Unlock all when ignition is switched off
 0 = Unlock all when ignition key is removed
- bit 3 **AUTOLK:** Auto Lock Option bit
 1 = Enable auto lock option
 0 = Disable auto lock option
- bit 2 **DRV/SPD:** Auto Lock Select bit
 If bit 3, AUTOLK is '1', else bit 2 has no effect
 1 = Lock all when vehicle speed is greater than 20 kph
 0 = Lock all when DRIVE gear is selected
- bit 1 **WINDUP:** Windows Up Option bit
 1 = If any window is not closed when a lock function is invoked, window will be raised
 0 = Disabled, no action
- bit 0 **BOOTLK:** Boot Lock Option bit
 1 = Boot is locked whenever it is closed
 0 = Disabled, no action

Note 1: Can be customer programmed from transmitter fob. Refer to Section "Customer Option Programming".

Legend:			
R = Readable bit	W = Writable bit	U = Unimplemented bit, read as '0'	
-n = Value at POR	'1' = Bit is set	'0' = Bit is cleared	x = Bit is unknown
D = Default value			

REGISTER 2: CONFIGURATION BYTE 2

D = 0	D = 0	D = 0	D = 0	D = 0	D = 0	D = 0	D = 0
LKDLY7	LKDLY6	LKDLY5	LKDLY4	LKDLY3	LKDLY2	LKDLY1	LKDLY0
bit 7							bit 0

bit 7-0 **KDLY<7:0>** Lock Delay Time bits
 0 = Disabled, no delay
 n = Delay time 1 to 255 seconds after ignition key is removed and all doors have been closed, all doors lock

Legend:			
R = Readable bit	W = Writable bit	U = Unimplemented bit, read as '0'	
-n = Value at POR	'1' = Bit is set	'0' = Bit is cleared	x = Bit is unknown
D = Default value			

REGISTER 3: CONFIGURATION BYTE 3

D = 0	D = 0	D = 0	D = 1	D = 1	D = 1	D = 1	D = 1
WLKAWY	WLKUP	SIDEO	CLDLY4	CLDLY3	CLDLY2	CLDLY1	CLDLY0
bit 7							bit 0

bit 7 **WLKAWY**: Enable Walk Away Headlight On bit
 1 = Enable lighting module to keep headlights on for a set period of time. Time controlled by lighting module.
 0 = Disable

bit 6 **WLKUP**: Enable Walk Up Lights On bit
 1 = Enable lighting module to turn on lights for a set period of time. Time controlled by lighting module.
 0 = Disable

bit 5 **SIDEO**: Side Lights Only Select bit
 1 = If bit 6, WLKUP is 1, turn on headlights
 0 = If bit 6, WLKUP is 1, turn on only sidelights

bit 4-0 **CLDLY<4:0>** Courtesy Light Delay Time bits
 0 = Disabled, no delay
 n = Delay time 1 to 31 seconds after ignition is switched off, courtesy lights will stay on

Legend:			
R = Readable bit	W = Writable bit	U = Unimplemented bit, read as '0'	
-n = Value at POR	'1' = Bit is set	'0' = Bit is cleared	x = Bit is unknown
D = Default value			

AN728

REGISTER 4: CONFIGURATION BYTE 4

D = 1	D = 0	D = 0	D = 1	D = 1	D = 1	D = 1	D = 1	
RKEFSH	SMPOS	CHRP	CLDIM4	CLDIM3	CLDIM2	CLDIM1	CLDIM0	
bit 7								bit 0

- bit 7 **RKEFSH:** Flash Sidelights on RKE Activity ⁽¹⁾ bit
1 = Flash sidelights for 1 second whenever RKE activity detected
0 = Disabled
- bit 6 **SMPOS:** Seat and Mirror Position Command bit
1 = Command seat and mirror control modules to assume pre-selected position
0 = Disabled
- bit 5 **CHRP:** Audible Feedback on RKE Lock and Unlock Events ⁽¹⁾ ⁽²⁾ bit
1 = Audio transducer is enabled whenever RKE Lock/UnLock detected
0 = Disabled
- bit 4-0 **CLDLY<4:0>** Courtesy Light Dim Time bits
0 = Disabled, no dimming
n = Dimming time 1 to 31 seconds after all doors are closed

- Note 1:** Can be customer programmed from transmitter fob. Refer to Section "Customer Option Programming".
- 2:** Must be disabled in certain markets.

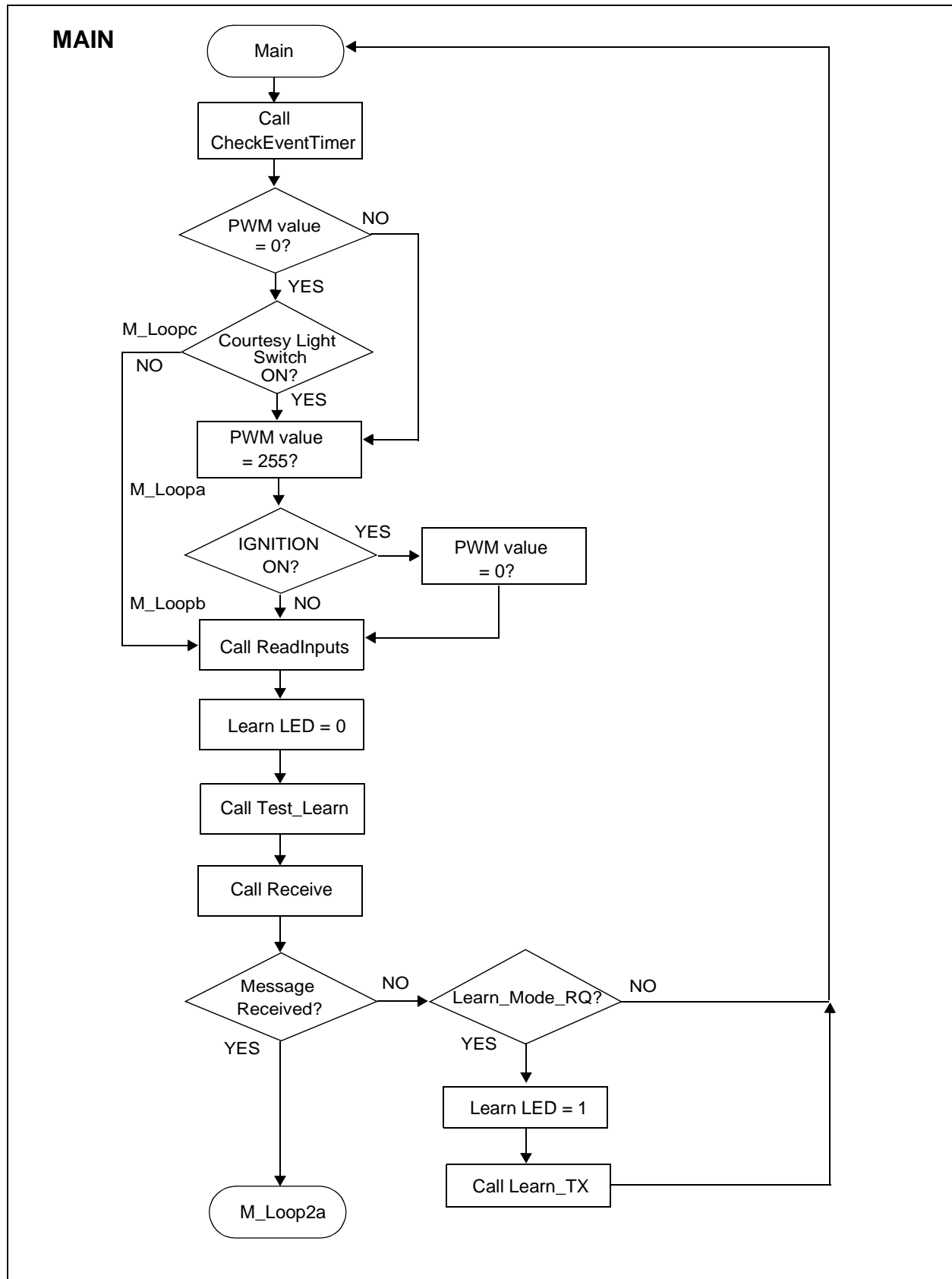
Legend:			
R = Readable bit	W = Writable bit	U = Unimplemented bit, read as '0'	
-n = Value at POR	'1' = Bit is set	'0' = Bit is cleared	x = Bit is unknown
D = Default value			

Factory default values can be reestablished by cycling power off, then on, while pressing the LEARN button. After resetting back to the factory default, individual option selections can be reprogrammed into the configuration memory.

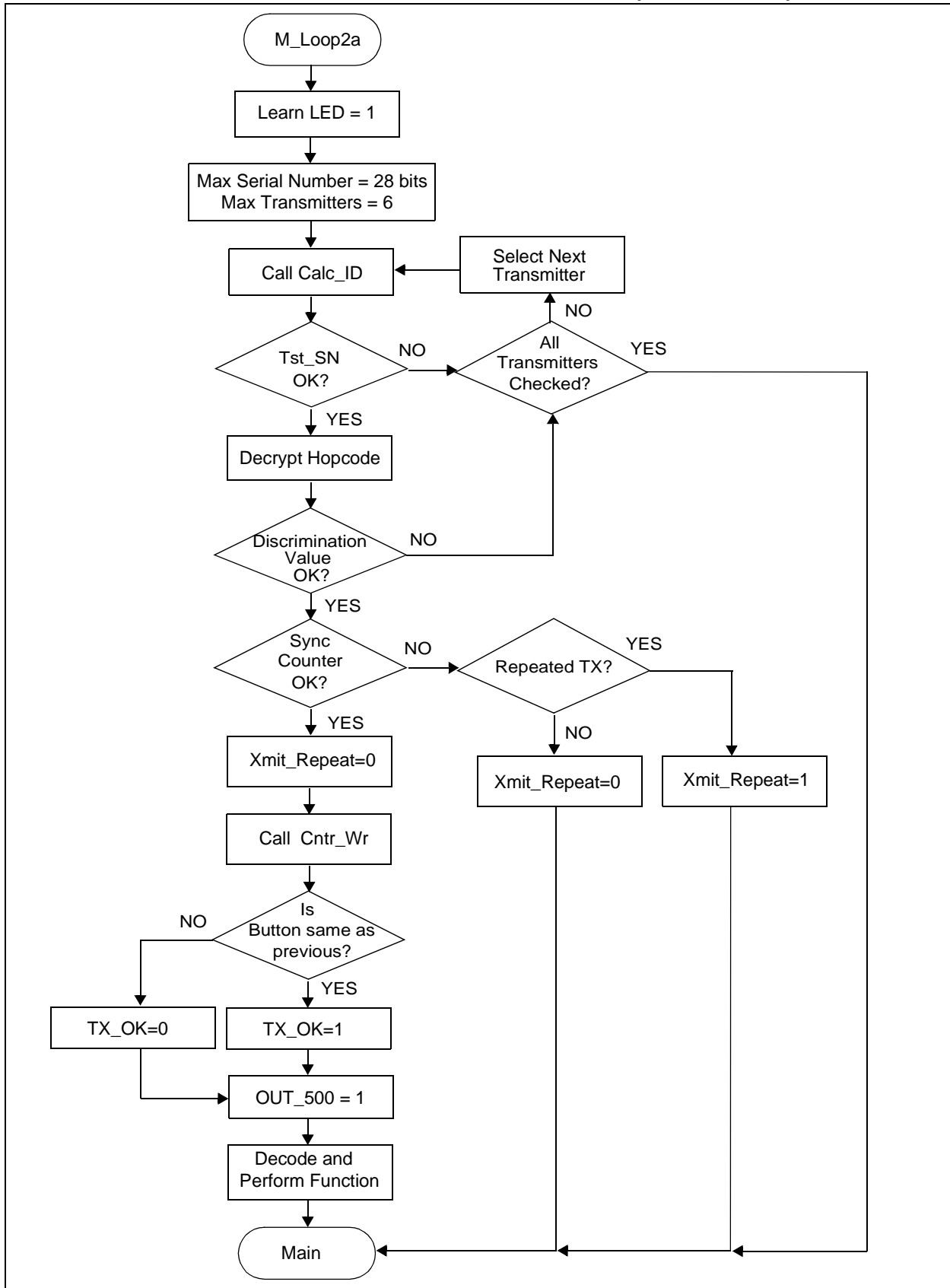
Referenced Documents:

- "LIN Specification Package", Revision 1.2, November 17, 2000, www.lin-subbus.org
- Microchip Applications Note AN729, "LIN Bus Implementation using PICmicro[®]", DS00729A

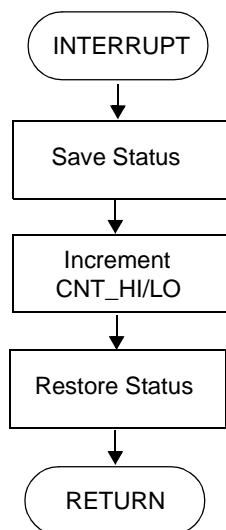
APPENDIX B: MAIN PROGRAMMING FLOWCHARTS



APPENDIX B: MAIN PROGRAMMING FLOWCHARTS (CONTINUED)

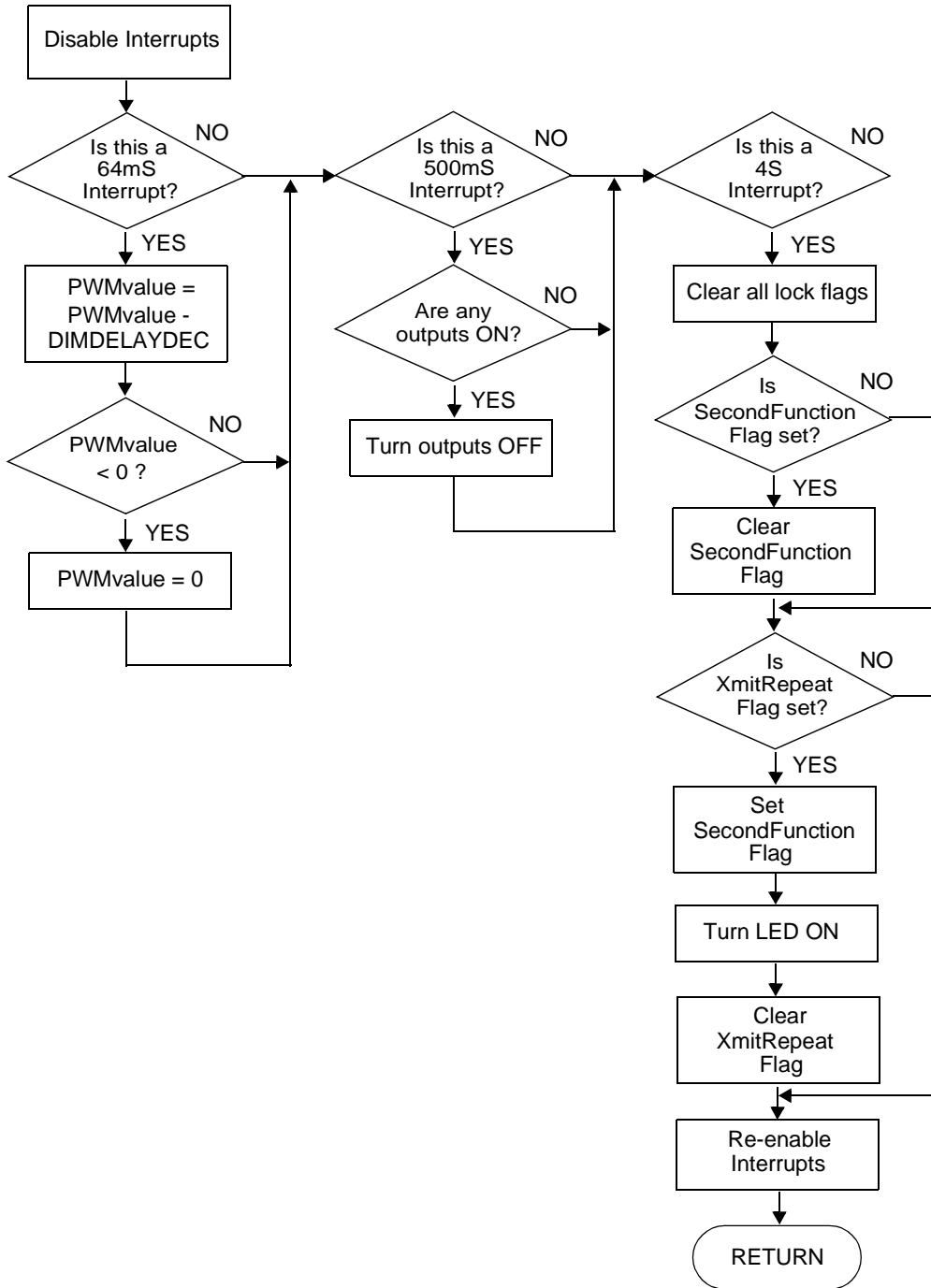


APPENDIX B: MAIN PROGRAMMING FLOWCHARTS (CONTINUED)



APPENDIX B: MAIN PROGRAMMING FLOWCHARTS (CONTINUED)

CHECKEVENTTIMER



Confidential and proprietary information reflected in this Application Note has been removed from this document. The full Application Note including such information is available under license from Microchip Technology Incorporated (reference DS40149).

Microchip's Secure Data Products are covered by some or all of the following patents:
Code hopping encoder patents issued in Europe, U.S.A., and R.S.A. — U.S.A.: 5,517,187; Europe: 0459781; R.S.A.: ZA93/4726
Secure learning patents issued in the U.S.A. and R.S.A. — U.S.A.: 5,686,904; R.S.A.: 95/5429
Additional patents and patent applications are pending or issued.

Information contained in this publication regarding device applications and the like is intended through suggestion only and may be superseded by updates. It is your responsibility to ensure that your application meets with your specifications. No representation or warranty is given and no liability is assumed by Microchip Technology Incorporated with respect to the accuracy or use of such information, or infringement of patents or other intellectual property rights arising from such use or otherwise. Use of Microchip's products as critical components in life support systems is not authorized except with express written approval by Microchip. No licenses are conveyed, implicitly or otherwise, under any intellectual property rights.

Trademarks

The Microchip name and logo, the Microchip logo, KEELOQ, MPLAB, PIC, PICmicro, PICSTART and PRO MATE are registered trademarks of Microchip Technology Incorporated in the U.S.A. and other countries.


FilterLab, microID, MXDEV, MXLAB, PICMASTER, SEEVAL and The Embedded Control Solutions Company are registered trademarks of Microchip Technology Incorporated in the U.S.A.

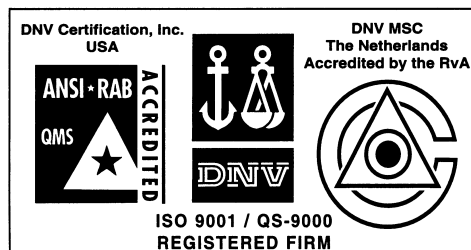
dsPIC, dsPICDEM.net, ECONOMONITOR, FanSense, FlexROM, fuzzyLAB, In-Circuit Serial Programming, ICSP, ICEPIC, microPort, Migratable Memory, MPASM, MPLIB, MPLINK, MPSIM, PICC, PICDEM, PICDEM.net, rPIC, Select Mode and Total Endurance are trademarks of Microchip Technology Incorporated in the U.S.A. and other countries.

Serialized Quick Turn Programming (SQTP) is a service mark of Microchip Technology Incorporated in the U.S.A.

All other trademarks mentioned herein are property of their respective companies.

© 2002, Microchip Technology Incorporated, Printed in the U.S.A., All Rights Reserved.

 Printed on recycled paper.



Microchip received QS-9000 quality system certification for its worldwide headquarters, design and wafer fabrication facilities in Chandler and Tempe, Arizona in July 1999 and Mountain View, California in March 2002. The Company's quality system processes and procedures are QS-9000 compliant for its PICmicro® 8-bit MCUs, KEELOQ® code hopping devices, Serial EEPROMs, microperipherals, non-volatile memory and analog products. In addition, Microchip's quality system for the design and manufacture of development systems is ISO 9001 certified.



WORLDWIDE SALES AND SERVICE

AMERICAS

Corporate Office

2355 West Chandler Blvd.
Chandler, AZ 85224-6199
Tel: 480-792-7200 Fax: 480-792-7277
Technical Support: 480-792-7627
Web Address: <http://www.microchip.com>

Rocky Mountain

2355 West Chandler Blvd.
Chandler, AZ 85224-6199
Tel: 480-692-7966 Fax: 480-792-4338

Atlanta

500 Sugar Mill Road, Suite 200B
Atlanta, GA 30350
Tel: 770-640-0034 Fax: 770-640-0307

Boston

2 Lan Drive, Suite 120
Westford, MA 01886
Tel: 978-692-3848 Fax: 978-692-3821

Chicago

333 Pierce Road, Suite 180
Itasca, IL 60143
Tel: 630-285-0071 Fax: 630-285-0075

Dallas

4570 Westgrove Drive, Suite 160
Addison, TX 75001
Tel: 972-818-7423 Fax: 972-818-2924

Detroit

Tri-Atria Office Building
32255 Northwestern Highway, Suite 190
Farmington Hills, MI 48334
Tel: 248-538-2250 Fax: 248-538-2260

Kokomo

2767 S. Albright Road
Kokomo, Indiana 46902
Tel: 765-864-8360 Fax: 765-864-8387

Los Angeles

18201 Von Karman, Suite 1090
Irvine, CA 92612
Tel: 949-263-1888 Fax: 949-263-1338

New York

150 Motor Parkway, Suite 202
Hauppauge, NY 11788
Tel: 631-273-5305 Fax: 631-273-5335

San Jose

Microchip Technology Inc.
2107 North First Street, Suite 590
San Jose, CA 95131
Tel: 408-436-7950 Fax: 408-436-7955

Toronto

6285 Northam Drive, Suite 108
Mississauga, Ontario L4V 1X5, Canada
Tel: 905-673-0699 Fax: 905-673-6509

ASIA/PACIFIC

Australia

Microchip Technology Australia Pty Ltd
Suite 22, 41 Rawson Street
Epping 2121, NSW
Australia
Tel: 61-2-9868-6733 Fax: 61-2-9868-6755

China - Beijing

Microchip Technology Consulting (Shanghai)
Co., Ltd., Beijing Liaison Office
Unit 915
Bei Hai Wan Tai Bldg.
No. 6 Chaoyangmen Beidajie
Beijing, 100027, No. China
Tel: 86-10-85282100 Fax: 86-10-85282104

China - Chengdu

Microchip Technology Consulting (Shanghai)
Co., Ltd., Chengdu Liaison Office
Rm. 2401, 24th Floor,
Ming Xing Financial Tower
No. 88 TIDU Street
Chengdu 610016, China
Tel: 86-28-86766200 Fax: 86-28-86766599

China - Fuzhou

Microchip Technology Consulting (Shanghai)
Co., Ltd., Fuzhou Liaison Office
Unit 28F, World Trade Plaza
No. 71 Wusi Road
Fuzhou 350001, China
Tel: 86-591-7503506 Fax: 86-591-7503521

China - Shanghai

Microchip Technology Consulting (Shanghai)
Co., Ltd.
Room 701, Bldg. B
Far East International Plaza
No. 317 Xian Xia Road
Shanghai, 200051
Tel: 86-21-6275-5700 Fax: 86-21-6275-5060

China - Shenzhen

Microchip Technology Consulting (Shanghai)
Co., Ltd., Shenzhen Liaison Office
Rm. 1315, 13/F, Shenzhen Kerry Centre,
Renminnan Lu
Shenzhen 518001, China
Tel: 86-755-82350361 Fax: 86-755-82366086

China - Hong Kong SAR

Microchip Technology Hongkong Ltd.
Unit 901-6, Tower 2, Metroplaza
223 Hing Fong Road
Kwai Fong, N.T., Hong Kong
Tel: 852-2401-1200 Fax: 852-2401-3431

India

Microchip Technology Inc.
India Liaison Office
Divyasree Chambers
1 Floor, Wing A (A3/A4)
No. 11, O'Shaugnessey Road
Bangalore, 560 025, India
Tel: 91-80-2290061 Fax: 91-80-2290062

Japan

Microchip Technology Japan K.K.
Benex S-1 6F
3-18-20, Shinyokohama
Kohoku-Ku, Yokohama-shi
Kanagawa, 222-0033, Japan
Tel: 81-45-471-6166 Fax: 81-45-471-6122

Korea

Microchip Technology Korea
168-1, Youngbo Bldg. 3 Floor
Samsung-Dong, Kangnam-Ku
Seoul, Korea 135-882
Tel: 82-2-554-7200 Fax: 82-2-558-5934

Singapore

Microchip Technology Singapore Pte Ltd.
200 Middle Road
#07-02 Prime Centre
Singapore, 188980
Tel: 65-6334-8870 Fax: 65-6334-8850

Taiwan

Microchip Technology (Barbados) Inc.,
Taiwan Branch
11F-3, No. 207
Tung Hua North Road
Taipei, 105, Taiwan
Tel: 886-2-2717-7175 Fax: 886-2-2545-0139

EUROPE

Austria

Microchip Technology Austria GmbH
Durisolstrasse 2
A-4600 Wels
Austria
Tel: 43-7242-2244-399
Fax: 43-7242-2244-393

Denmark

Microchip Technology Nordic ApS
Regus Business Centre
Lautrup høj 1-3
Ballerup DK-2750 Denmark
Tel: 45 4420 9895 Fax: 45 4420 9910

France

Microchip Technology SARL
Parc d'Activite du Moulin de Massy
43 Rue du Saule Trapu
Batiment A - 1er Etage
91300 Massy, France
Tel: 33-1-69-53-63-20 Fax: 33-1-69-30-90-79

Germany

Microchip Technology GmbH
Steinheilstrasse 10
D-85737 Ismaning, Germany
Tel: 49-89-627-144 0 Fax: 49-89-627-144-44

Italy

Microchip Technology SRL
Centro Direzionale Colleoni
Palazzo Taurus 1 V. Le Colleoni 1
20041 Agrate Brianza
Milan, Italy
Tel: 39-039-65791-1 Fax: 39-039-6899883

United Kingdom

Microchip Ltd.
505 Eskdale Road
Winkersley Triangle
Wokingham
Berkshire, England RG41 5TU
Tel: 44 118 921 5869 Fax: 44-118 921-5820

08/01/02